



Brief

www.marses-robotics.com



MARSES

Is the leading company in AI, Robotics, & Industrial Automation solutions in the Middle East, which is based in Egypt with UAE regional office and KSA local partner, Serving the MENA region with **M**obile **A**utonomous **R**obots & **S**mart **E**nhanced **S**olutions on two main tracks (Industrial Automation & Services Solutions).

- DUET Robot product line
- Biggest Robotic press automation in MENA region
- GITEX 1st Activation partnership

- Develop Ready on Shelf Solutions
- MDR-A Robot product line
- GITEX 3rd Activation partnership

2018

2019

2020

2021

2022

- Established headquarter
- Established manufacturing hub

- MOZO Robot product line Started
- MDR-C Robot product line Started
- GITEX 2nd Activation partnership
- GULFOOD Activation partnership

- Established Dubai branch
- World Youth Forum
- Saudi Arabia's partner
- To be continued

Robotics Manufacturer Pioneer in the MENA



SOME OF OUR CLIENTS & PARTNERS



—
VALUE PROVIDER

MARSESES IN NUMBERS

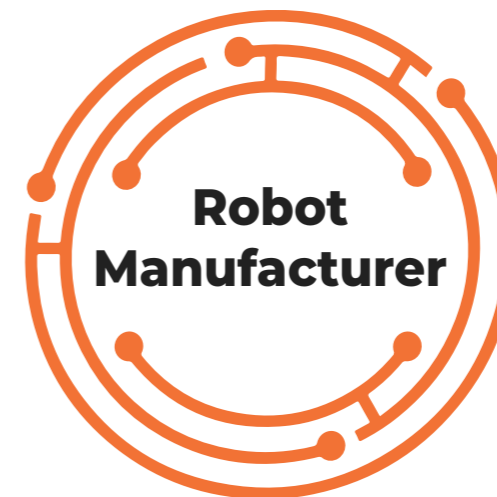
+20
Strategic partners

Operation in
5
Countries

+50
Loyal Clients

1st
Lead Robotic & AI focused company in the region

MARSES IN POINTS



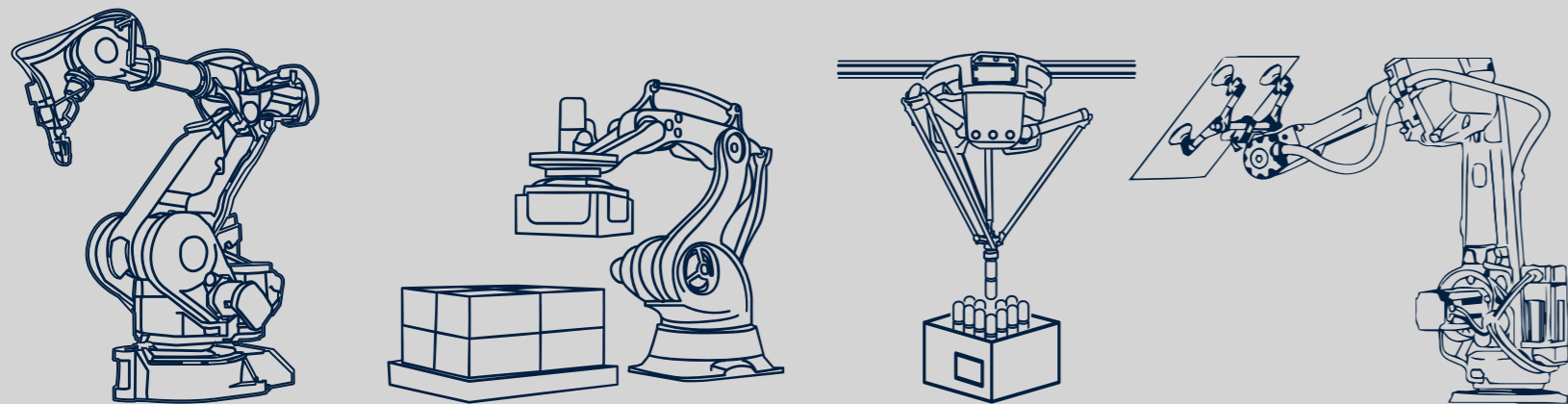
WHY MARSES IS THE RIGHT CHOICE?



SOLUTIONS CATEGORIES:

INDUSTRIAL AUTOMATION

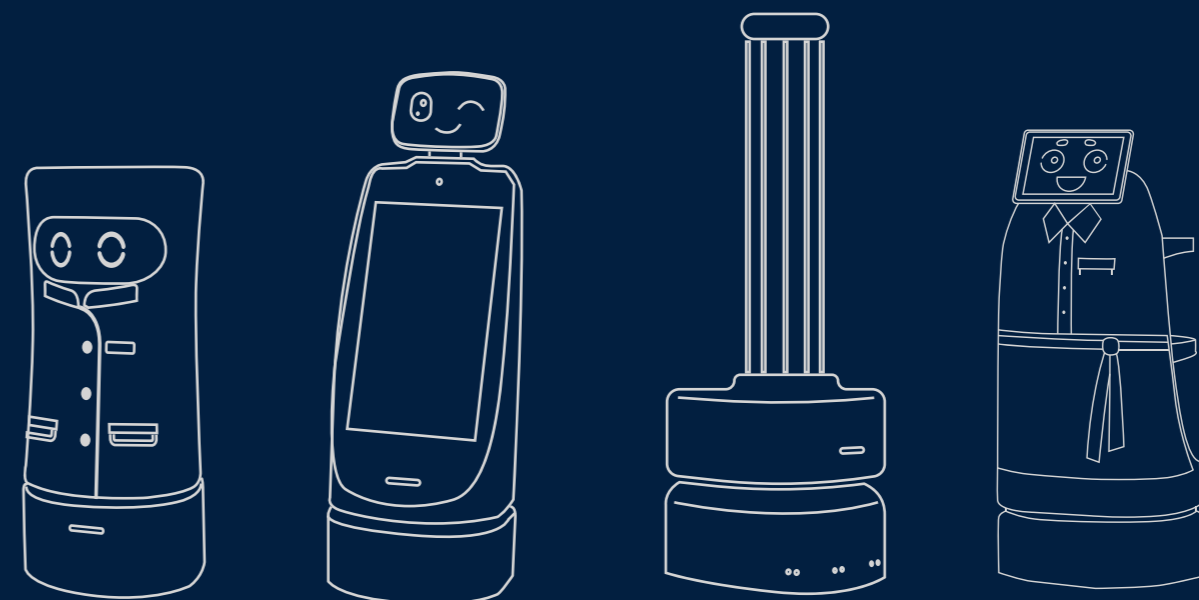
We provide a small standard single-task robotics for a large integrated customized turn-key solution that can complete tasks with consistent quality and speed, even if it's high-risk for human employees, without requiring stoppages or breaks.



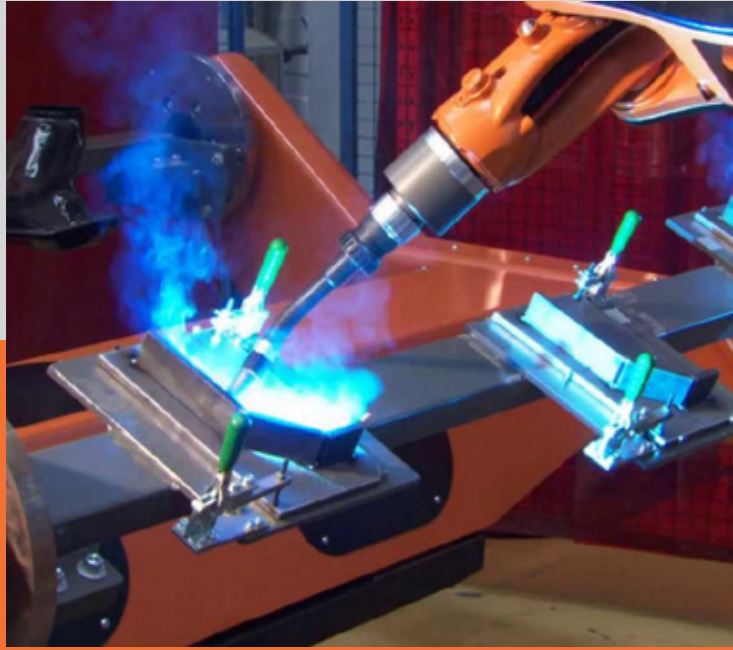
SERVICES SOLUTIONS

Services are actually acts of helping or doing more for someone, and our robots as well trained to do so far whether in:

Hospitality sector / Healthcare sector /
Event Industry sector / Educational sector.



INDUSTRIAL AUTOMATION:



WELDING

- Reliability
- Designed for 24/7 production
- High flexibility
- Ease of use and high availability
- Good accessibility
- Easy maintenance
- Easy change-over



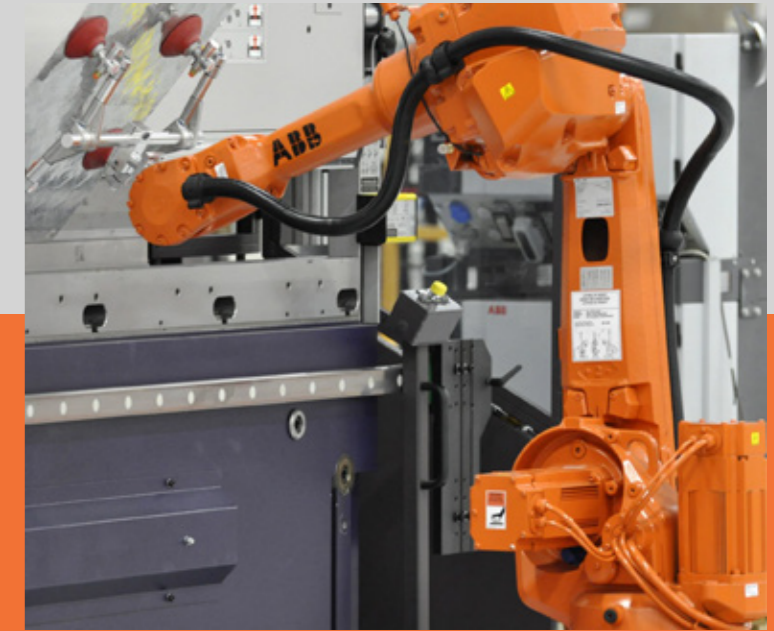
PALLETIZING

- Reliability
- Designed for 24/7 production
- Standardized and configurable modules
- Ease of change-over
- Accessibility
- Easy maintenance



PACKAGING

- Reliability
- Designed for 24/7 production
- Standardized & configurable modules
- Ease of use and high availability
- Good accessibility
- Easy to clean design
- Easy maintenance
- Wide format range
- Small footprint



OTHER APPLICATIONS



SERVICES SOLUTIONS:



HEALTHCARE

- Disinfection & Sanitizing
- Medical Deliveries
- Food Deliveries
- E-Nursing
- Digital Hospital Administration



EVENT INDUSTRY

- Entertainment & Interactivity
- Promotion & Exhibiting Hosting
- Creating solutions
- Marketing & Branding



HOSPITALITY

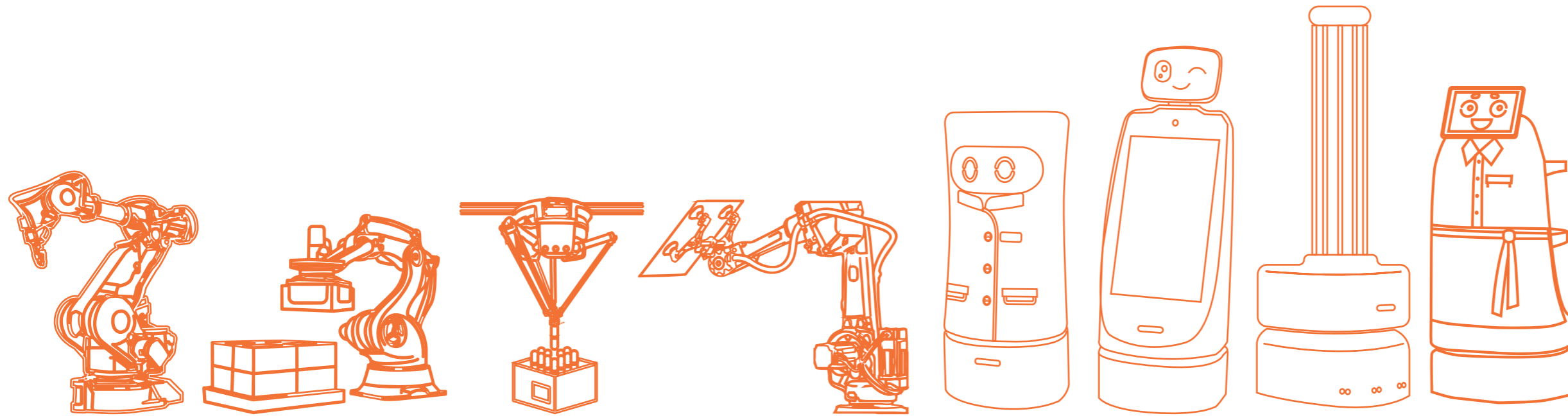
- Smart Waitering
- Barista Robot
- Room Serving
- Sanitizing & Disinfection
- Digital Guiding
- Digital Banking Assistance
- Digital Administration
- Digital Cinema Booking
- Visitor Management



EDUCATIONAL

- Articulated Robots
- Automation Mobile robot
- Service robots
- Collaborative robot

Say Hi to our family



THANK
YOU

Contact us

Head Office: 18 Ashmon St., Heliopolis, 11341 Cairo, Egypt.

UAE Office: C01-12, SRTI Park, P.O. Box 66636, UAE.

Factory: 2B Industrial Zone, 10th of Ramadan, Egypt.

Phone (Egypt): +2 (0120) 873-4000

Phone (UAE): +971 (54) 534-3338

Email: info@marses.systems